



Supporting solar innovation

Patented systems

NO-FLEX

The perfect solution
for large modules



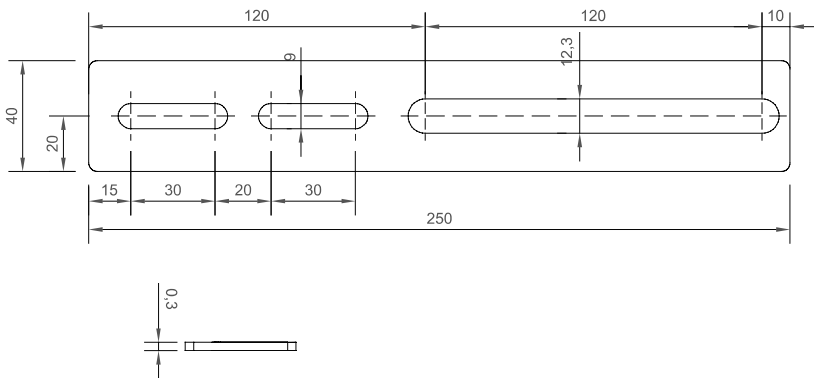
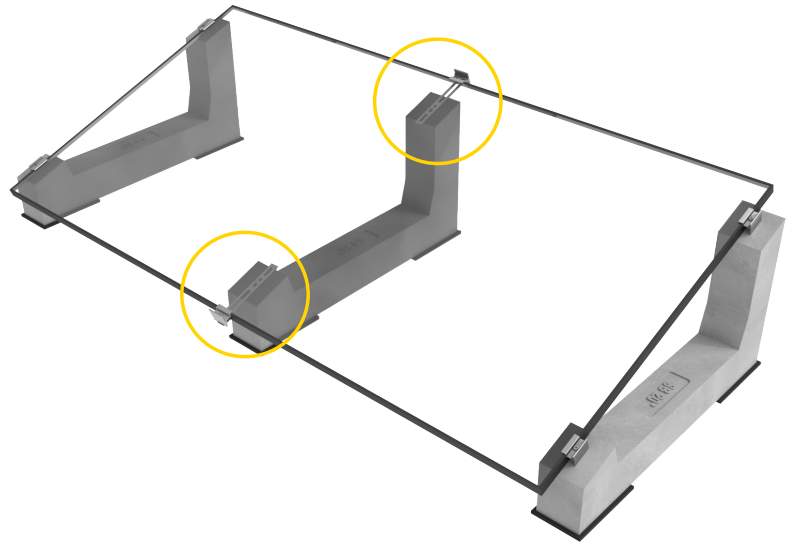


KIT NO-FLEX STANDARD

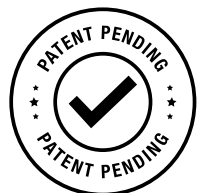
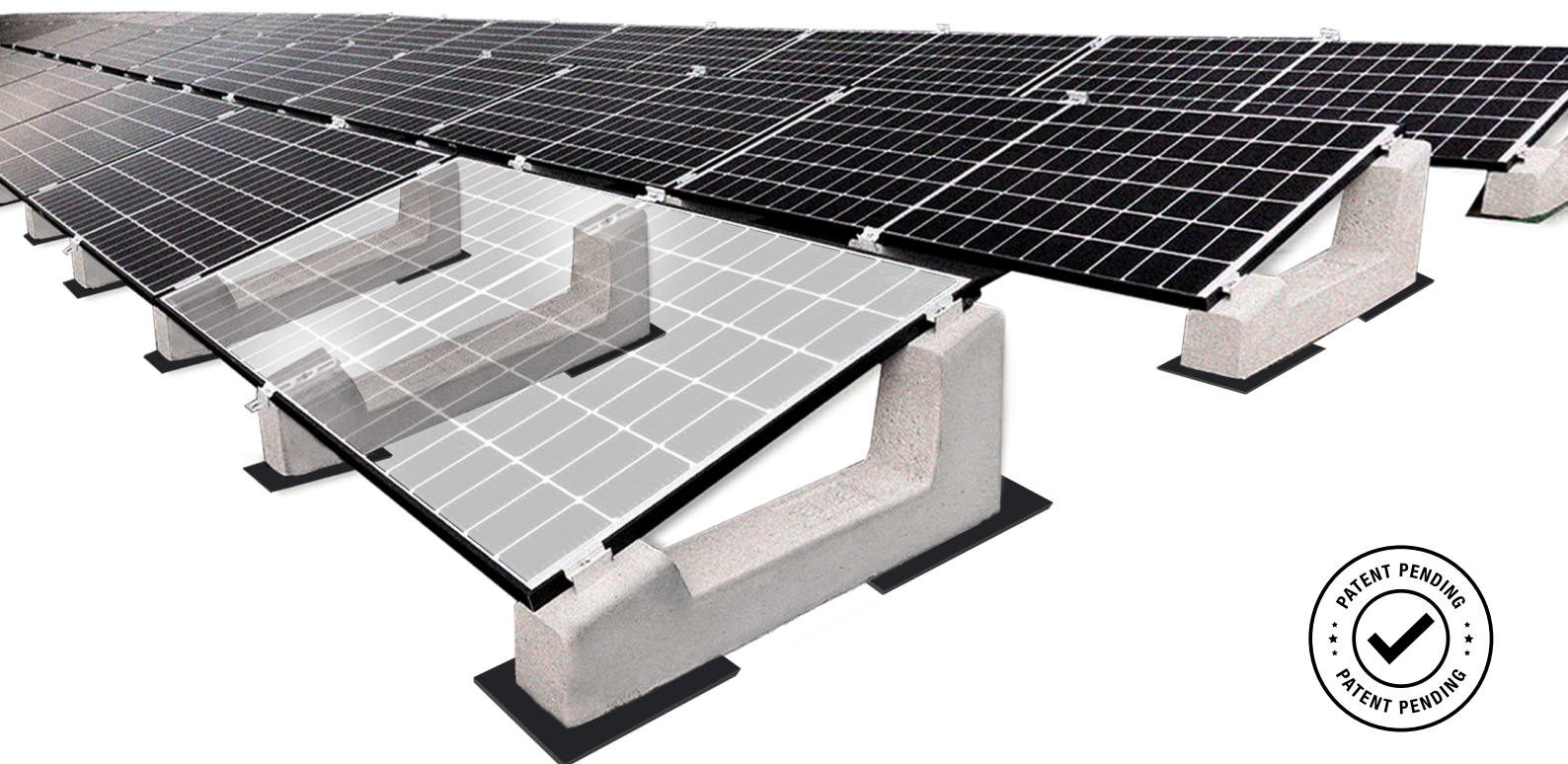
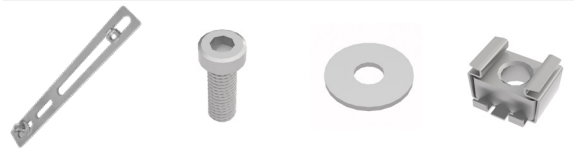
THE NEW SOLUTION FOR LARGE PANELS

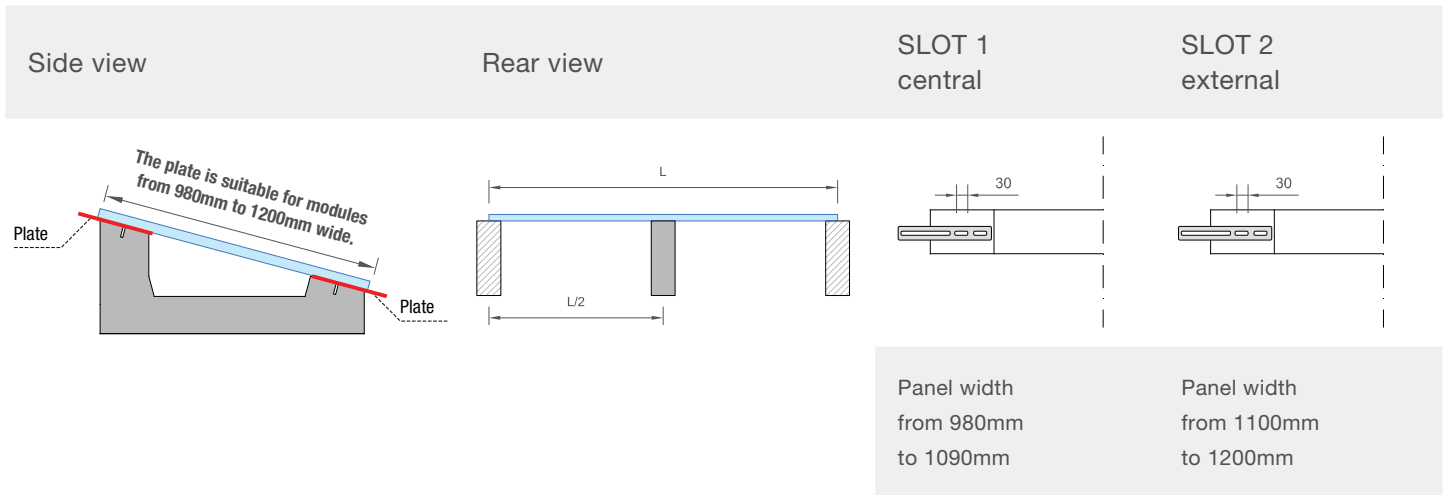
NO-FLEX Standard is a Sun Ballast accessory designed to be inserted on central reinforcement ballasts in order to support large panels and prevent them from bending in the middle.

Its "I" shape is designed to be compatible with all inclinations of Standard Sun Ballast systems, from 3° to 30°, with panels laid horizontally.



Item	Material	Thickness	Weight
K23712	Steel	30/10	120g
Plate	Bolt	Washer	Cage nut

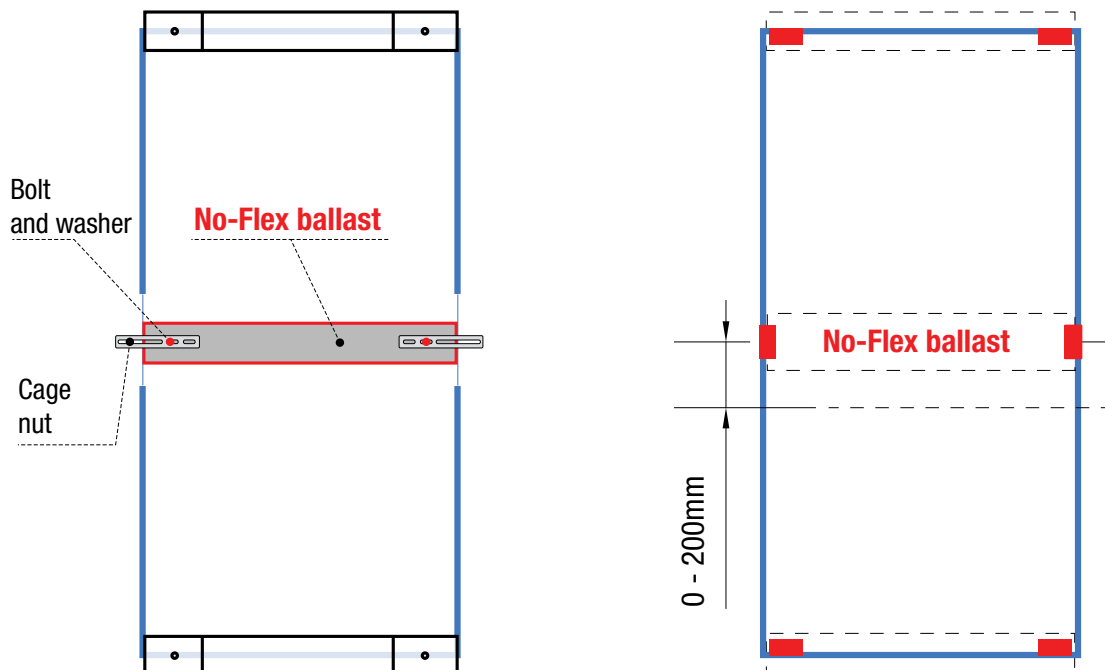




USE ONE OF THE TWO 30MM SLOTS TO FIX THE PLATE ON THE CENTRAL REINFORCEMENT BALLASTS, DEPENDING ON THE PANEL WIDTH

View of the **Standard** and **No-Flex** system from above

The 6 support points to which the panel is attached are indicated in red

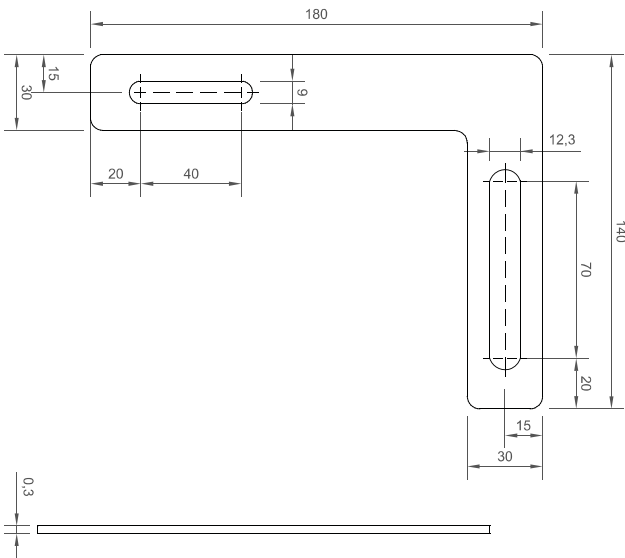
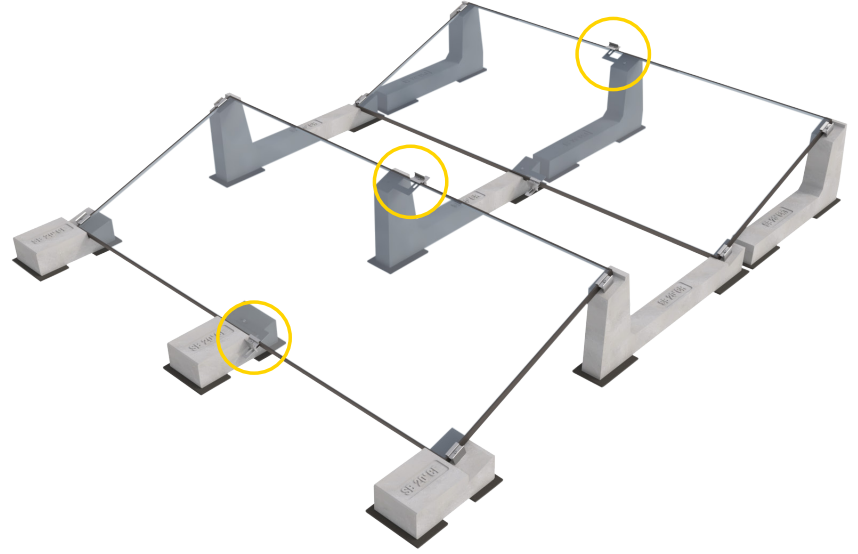


KIT NO-FLEX CONNECT

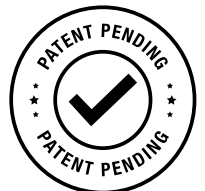
THE NEW SOLUTION FOR LARGE PANELS

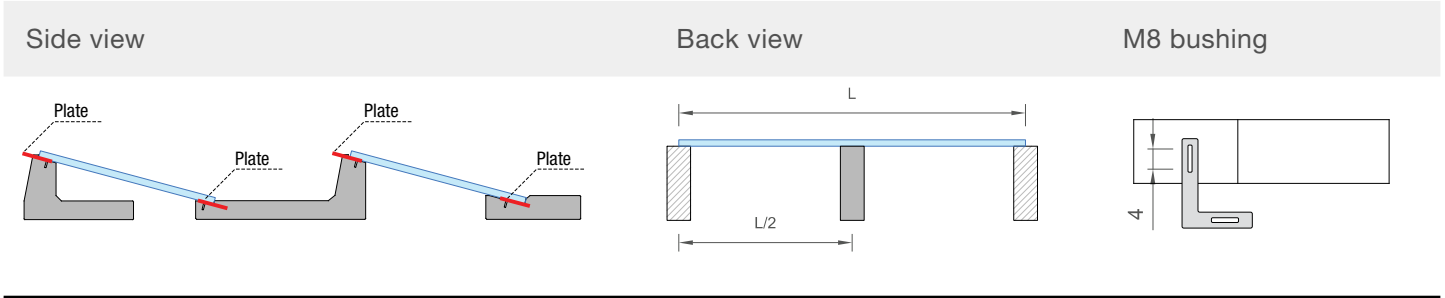
NO-FLEX Connect is a Sun Ballast accessory designed to be inserted on central reinforcement ballasts in order to support large panels and prevent them from bending in the middle.

Its "L" shape is designed to be compatible with all inclinations of Connect Sun Ballast systems, from 5° to 30°, with panels laid horizontally.



Item	Material	Thickness	Weight
K23711	Steel	30/10	120g
Plate	Bolt	Washer	Cage nut





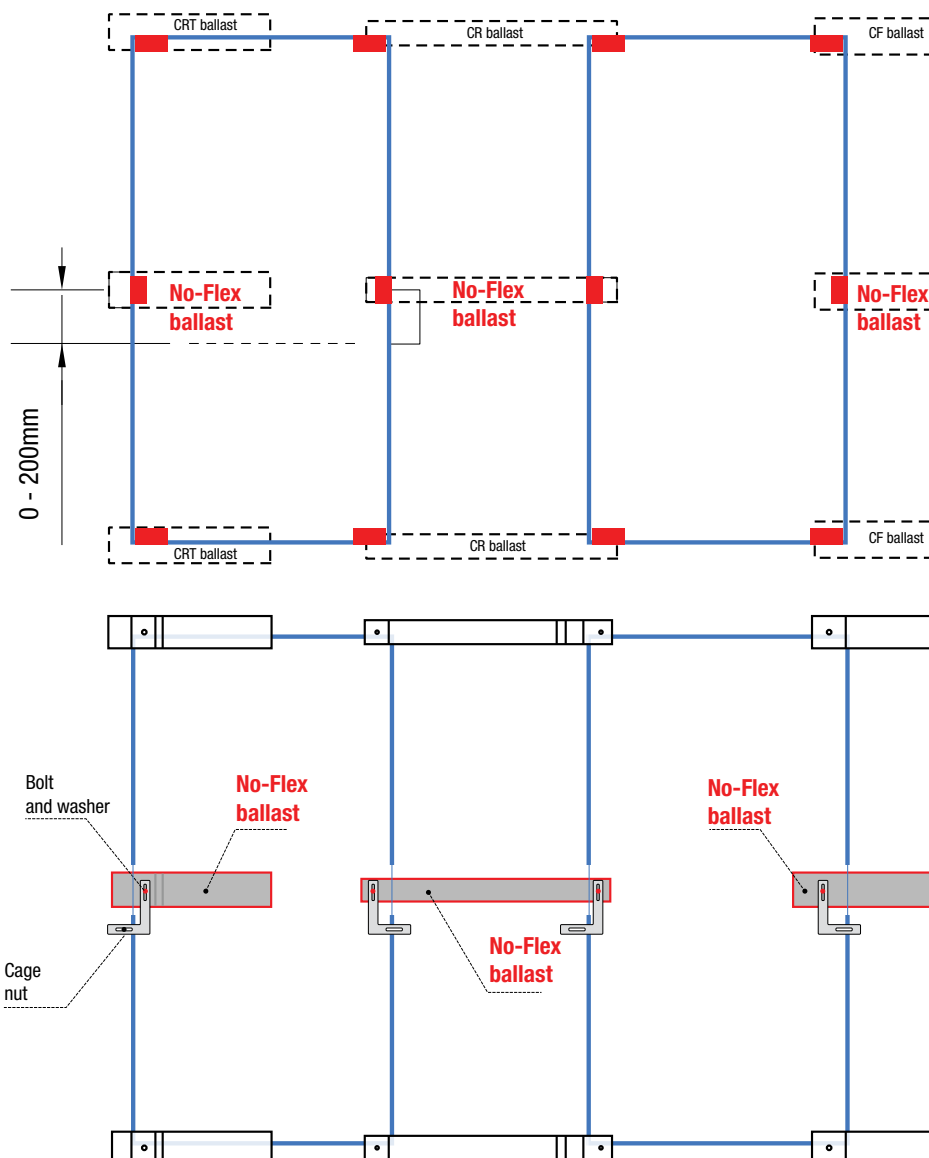
USE THE 4CM SLOT TO FIX THE PLATE ON THE CENTRAL REINFORCEMENT BALLASTS

CONNECT SYSTEMS 5°-10°-15°;
Panel width from 980mm to 1150mm

CONNECT SYSTEM 20°-30°;
Panel width from 980mm to 1050mm

View of the **Connect** and **No-Flex** system from above

The 6 support points to which the panel is attached are indicated in red





Supporting solar innovation
Patented systems