

BASIC SOLAR SYSTEMS



STRUCTURES FOR PITCHED ROOFS

BASIC SOLAR SYSTEMS

INDEX FOR PITCHED ROOFS

• TYPES OF COVERINGS

pg: 2-4



• BRACKETS AND PROFILES FOR
COVERS AND DOUBLE TILES

pg: 5-7



• PROFILES FOR CORRUGATED SHEET

pg: 8-10



• FIXINGS FOR SEAMED SHEET

pg-11



• KIT TABLES

pg 12-14

TYPES OF COVERINGS

TRADITIONAL COVERINGS:



DOUBLE ROOF



COPPO WITH ONDULINA



SHINGLES

BASIC SOLAR SYSTEMS



SHEATH

NEW CONSTRUCTION COVERINGS:



CORRUGATED SHEET



SEAMED SHEET

BRACKETS AND PROFILES FOR COVERS AND DOUBLE TILES



KSF2301.1

- Bracket for roofs with double stainless steel tile
- Galvanized plate
- Assembly and profile screws



KSF2303.1

- Bracket for low tiles in stainless steel
- Galvanized plate
- Assembly and profile screws



KSF2304

- Universal bracket for all types of tiles (with 3 adjustments)
- Assembly and profile screws



KVG2308D25

- Double threaded screw M10x250 for roofs in stainless steel sheath with EPDM gasket
- 3 M8 flanged nuts
- Plate



C100T01

- MS sealant glue (for fixing tiles or plates)



PR2309

- Aluminum profile (3.20 m long)



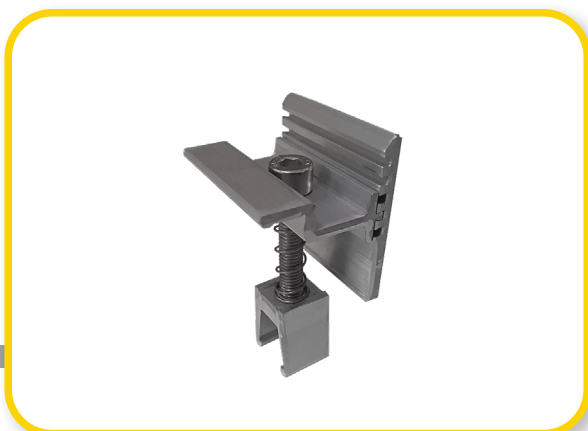
PR2310

- Linear joint in stainless steel



SG2310

- Universal central aluminum clip for profiles (pre-assembled)



SG2311

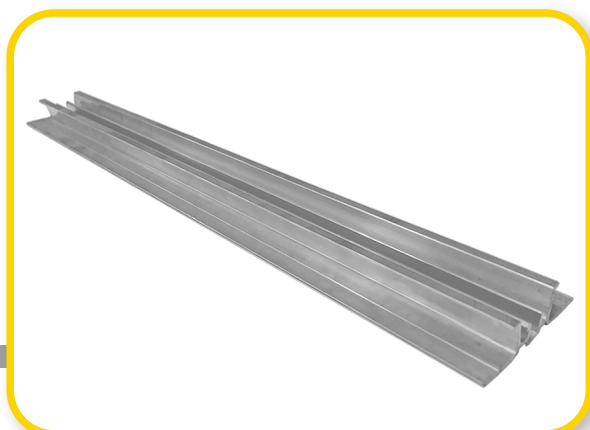
- Universal terminal clip in aluminum for profiles (pre-assembled)

PROFILES FOR CORRUGATED SHEET



SG2305

- Flat profile for aluminum corrugated board (3.20 m long)



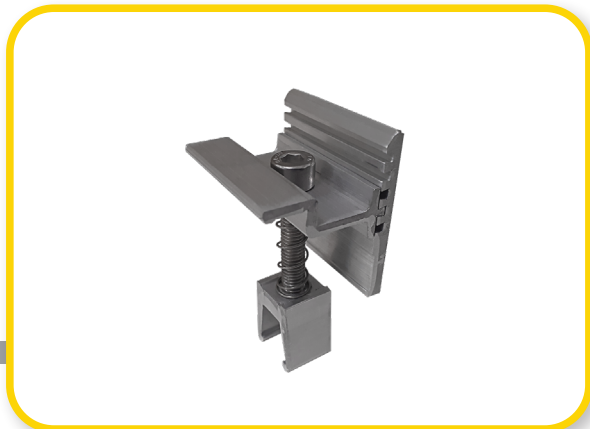
SG2303

- Flat profile for aluminum corrugated board (43 cm long)



SG2310

- Universal central aluminum clip for profiles (pre-assembled)



SG2311

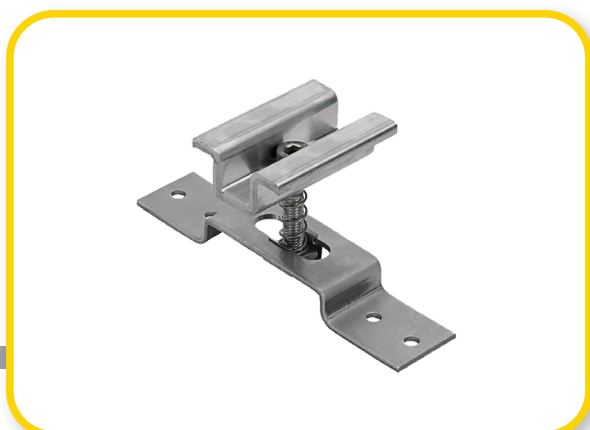
- Universal terminal clip in aluminum for profiles (pre-assembled)



GRAFFA TERMINALE PER GRECATA IN ALLUMINIO

- SGT3034 for H modules of 30 - 34 mm
- SGT3539 for H modules of 35 - 39 mm
- SGT4044 for H modules of 40 - 44 mm
- SGT4550 for H modules of 45 - 50 mm

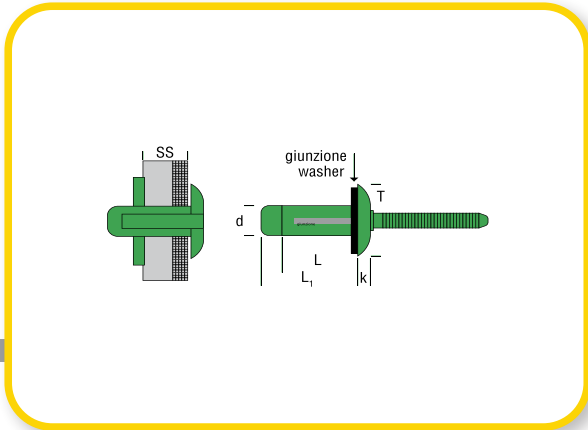
(Recommended for systems over 20 kW)



GRAFFA CENTRALE PER GRECATA IN ALLUMINIO

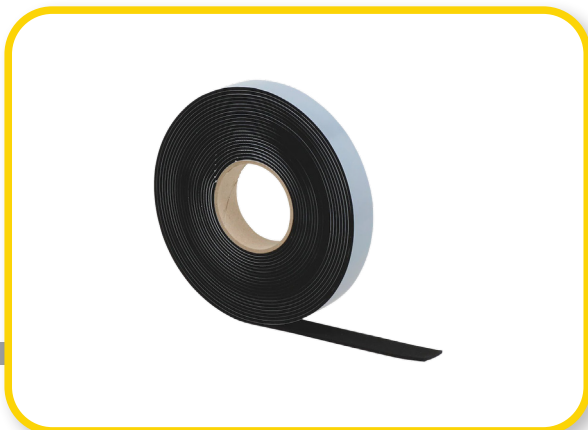
- SGC3034 for H modules of 30 - 34 mm
- SGC3539 for H modules of 35 - 39 mm
- SGC4044 for H modules of 40 - 44 mm
- SGC4550 for H modules of 45 - 50 mm

(Recommended for systems over 20 kW)



SG2308

- 5.2 x 19.1 mm aluminum rivet with EPDM gasket



SG2309

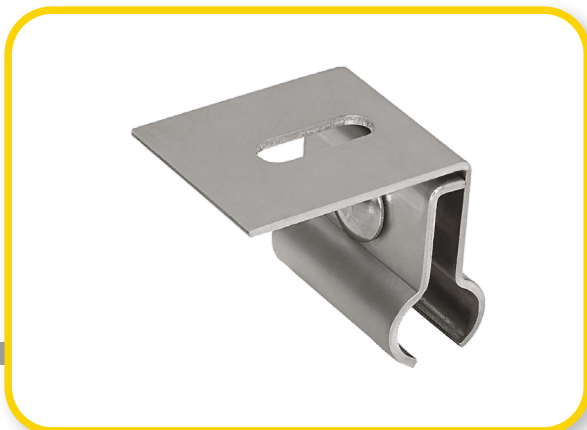
- EPDM sheath 30 x 3 mm adhesive on one side

FISSAGGI PER LAMIERA AGGRAFFATA



KLM2301

- Bracket for flat seamed sheet in stainless steel
- Assembly screws



KLM2302

- Bracket for round seamed sheet in stainless steel
- Assembly screws


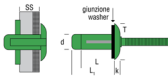


TRANSPORT

The transport cost will be indicated directly on the requested quote.


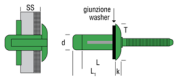



KIT TABLES

LIST OF MATERIALS FOR DOUBLE COVER AND TILES				Panel measures	170 x 100 cm
				Panel layout	Vertical
NUMBER OF MODULES	PROFILE 3.20 mt (PR2309)	PROFILE JOINT (PR2310)	BRACKET (KSF2301.1, KSF2303.1, KSF2304)	CENTRAL CLIP (SG2310)	TERMINAL CLIP (SG2311)
					
2	2	-	6	2	4
3	2	-	6	4	4
4	3	2	8	6	4
5	4	2	10	8	4
6	4	2	12	10	4
7	5	4	14	12	4
8	6	4	16	14	4
9	6	4	18	16	4
10	7	6	20	18	4


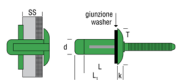
LIST OF MATERIALS FOR DOUBLE COVER AND TILES				Panel measures	170 x 100 cm
				Panel layout	Horizontal
NUMBER OF MODULES	PROFILE 3.20 mt (PR2309)	PROFILE JOINT (PR2310)	BRACKET (KSF2301.1, KSF2303.1, KSF2304)	CENTRAL CLIP (SG2310)	TERMINAL CLIP (SG2311)
					
2	3	2	6	2	4
3	4	2	10	4	4
4	4	2	12	6	4
5	6	4	16	8	4
6	7	6	18	10	4
7	8	8	20	12	4
8	9	8	24	14	4
9	10	10	26	16	4
10	11	10	30	18	4

LIST OF CORRUGATED MATERIAL WITH PROFILES				Panel measures	170 x 100 cm
				Panel layout	Verticale
NUMBER OF MODULES	PROFILE FOR CORRUGATED 3.20 mt (SG2305)	RIVETS 14 EACH BAR (SG2308)	* SHEATH 70 cm EVERY KIT (SG2309)	CENTRAL CLIP (SG2310)	TERMINAL CLIP (SG2311)
					
2	2	28	1.40 m	2	4
3	2	28	1.40 m	4	4
4	3	42	2.10 m	6	4
5	4	56	2.80 m	8	4
6	4	56	2.80 m	10	4
7	5	70	4.50 m	12	4
8	6	84	4.20 m	14	4
9	6	84	4.20 m	16	4
10	7	98	4.90 m	18	4

* Minimum quantity of 1 roll of SG2309 sheath

LIST OF CORRUGATED MATERIAL WITH PROFILES				Panel measures	170 x 100 cm
				Panel layout	Horizontal
NUMBER OF MODULES	PROFILE FOR CORRUGATED 3.20 mt (SG2305)	RIVETS 14 EACH BAR (SG2308)	* SHEATH 70 cm EVERY KIT (SG2309)	CENTRAL CLIP (SG2310)	TERMINAL CLIP (SG2311)
					
2	3	42	2.10 m	2	4
3	4	56	2.80 m	4	4
4	5	70	3.50 m	6	4
5	6	84	4.20 m	8	4
6	7	98	4.90 m	10	4
7	8	112	5.60 m	12	4
8	9	126	6.30 m	14	4
9	10	140	7.00 m	16	4
10	11	154	7.70 m	18	4

* Minimum quantity of 1 roll of SG2309 sheath

LIST OF CORRUGATED MATERIAL WITH FIXING KIT (LAYING HORIZONTAL ONLY)			Panel measures	170 x 100 cm
			Panel layout	Horizontal
NUMBER OF MODULES	CENTRAL CLIP (SGC3034, SGC3539, SGC4044, SGC4550)	TERMINAL CLIP (SGT3034, SGT3539, SGT4044, SGT4550)	* SHEATH 20 cm EVERY KIT (SG2309)	RIVETS 4 EACH BAR (SG2308)
				
2	2	4	1.20 m	24
3	4	4	1.60 m	32
4	6	4	2.00 m	40
5	8	4	2.40 m	48
6	10	4	2.80 m	56
7	12	4	3.20 m	64
8	14	4	3.60 m	72
9	16	4	4.00 m	80
10	18	4	4.40 m	88

* Minimum quantity of 1 roll of SG2309 sheath

BASIC SOLAR SYSTEMS



BASIC **SOLAR SYSTEMS**

For info and quotes:

✉ m.santo@sunballast.com

☎ +39 0522 1758869

🌐 www.sunballast.com

Price list 1 - 2020

FOLLOW US ON

